

40V 2.6mohm N-channel SGT MOSFET AKG4N026KM

Description:

This N channel SGT MOSFET has been designed to low on-state resistance, low switching loss with good E_{AS} performance, especially for DC-DC and Motor driving applications.

Features:

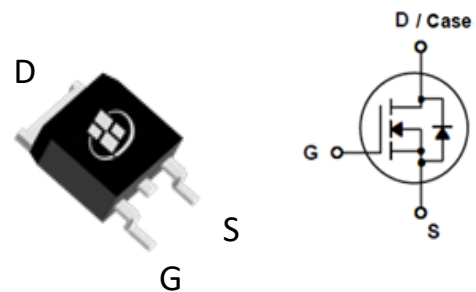
- Low FOM $R_{DS(ON)} \times Q_G$
- Ultra-low on-resistance
- RoHS compliant ^(Note 1)
- Halogen-free ^(Note 1)
- 100% UIS Tested

Applications:

- Battery Management System
- Motor Drivers
- DC-DC Converter

Key Performance Parameters:

| Parameter | Value | Unit |
|----------------------------------|-------|------------|
| V_{DS} | 40 | V |
| $R_{DS(ON), max} @ V_{GS} = 10V$ | 2.65 | m Ω |
| I_D | 70 | A |



Ordering Information:

| Ordering Code | Package Type | Marking Code | Form | Packing |
|---------------|--------------|--------------|------|---------|
| AKG4N026KM | TO-263 | G4N026KM | Tube | 1000PCS |

Notes:

1. Contact ALKAIDSEMI sales for detail information

Maximum Ratings ($T_A = 25^\circ\text{C}$ unless otherwise noted)

| Symbol | Parameter | Value | Units |
|----------------|---|-------------|------------------|
| V_{DS} | Drain-Source Voltage | 40 | V |
| I_D | Drain Current - Continuous ($T_C = 25^\circ\text{C}$) ^(Note 1) | 150 | A |
| | Drain Current - Continuous ($T_C = 25^\circ\text{C}$) ^(Note 1) | 70 | A |
| | Drain Current - Continuous ($T_C = 100^\circ\text{C}$) | 70 | A |
| I_{DM} | Drain Current - Pulsed ^(Note 2) | 280 | A |
| V_{GS} | Gate-Source Voltage | ± 20 | V |
| E_{AS} | Single Pulsed Avalanche Energy ^(Note 3) | 361 | mJ |
| P_D | Power Dissipation ($T_C = 25^\circ\text{C}$) | 192 | W |
| T_J, T_{STG} | Operating and Storage Temperature Range | -55 to +150 | $^\circ\text{C}$ |

Thermal Characteristics

| Symbol | Parameter | Value | Units |
|-----------------|---|-------|---------------------------|
| $R_{\theta JC}$ | Thermal Resistance, Junction-to-Case, Steady-State | 1.3 | $^\circ\text{C}/\text{W}$ |
| $R_{\theta JA}$ | Thermal Resistance, Junction-to-Ambient, Steady State ^(Note 4) | 75 | $^\circ\text{C}/\text{W}$ |

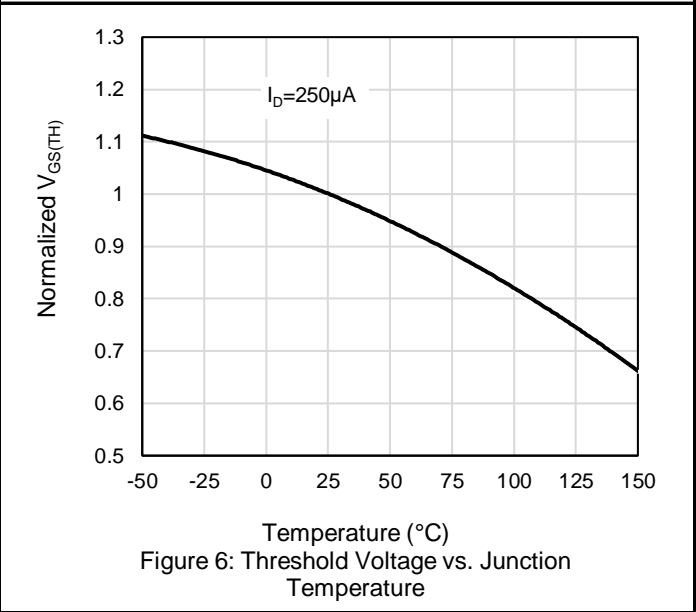
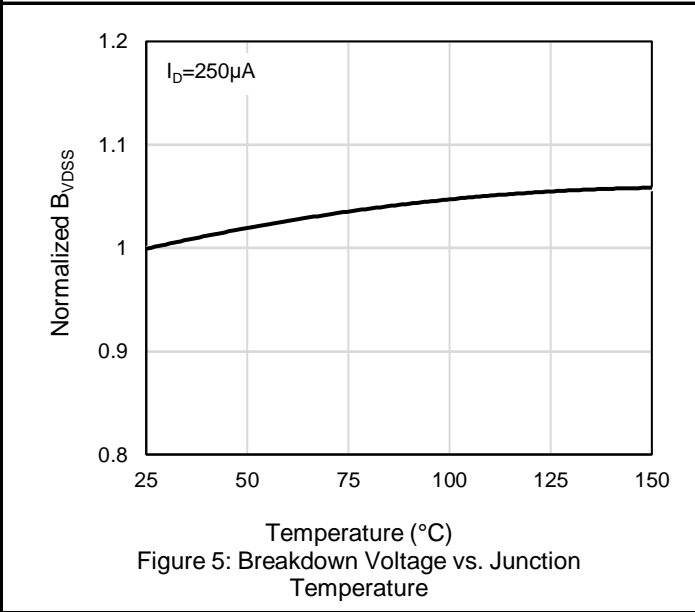
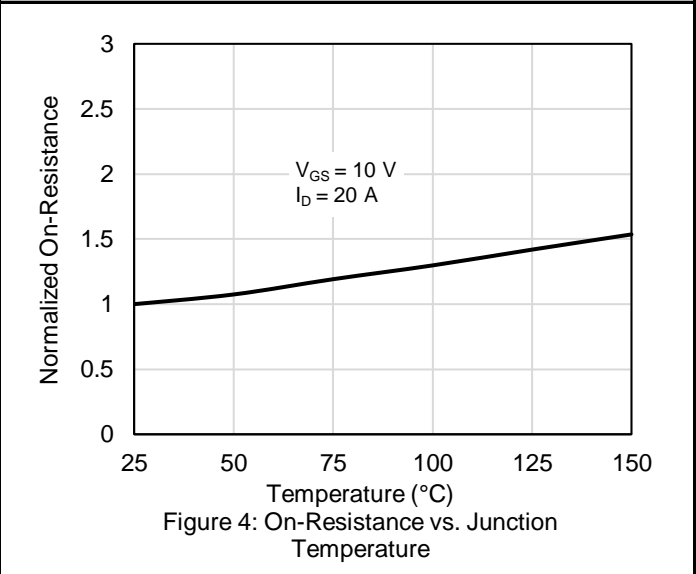
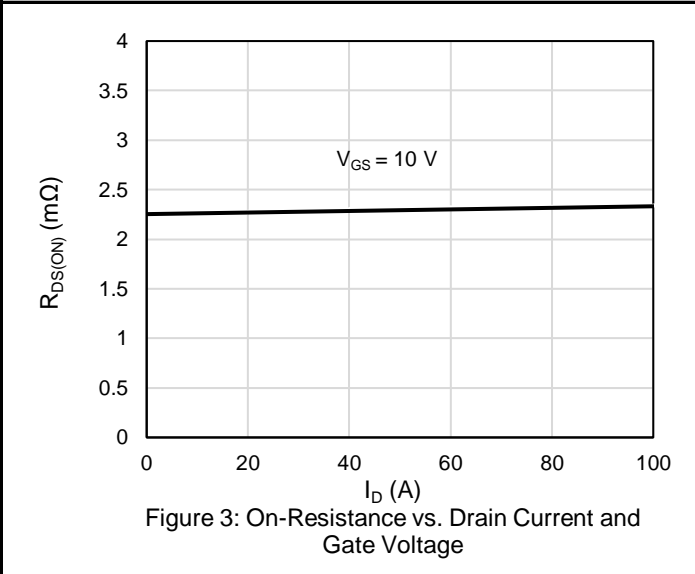
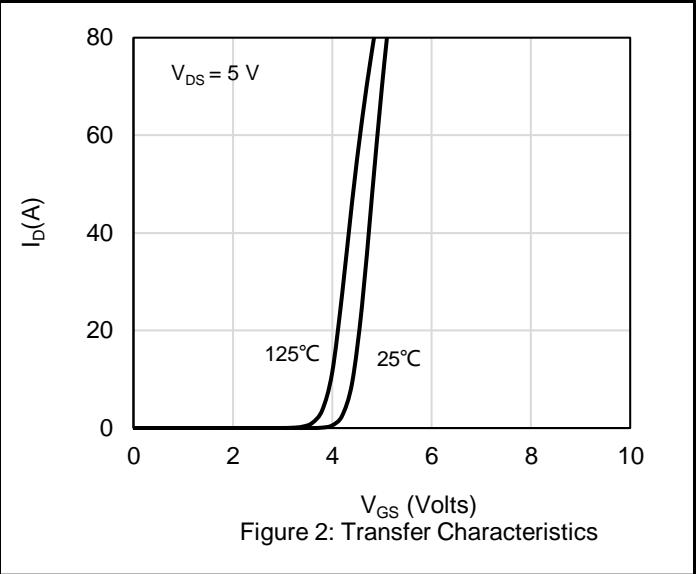
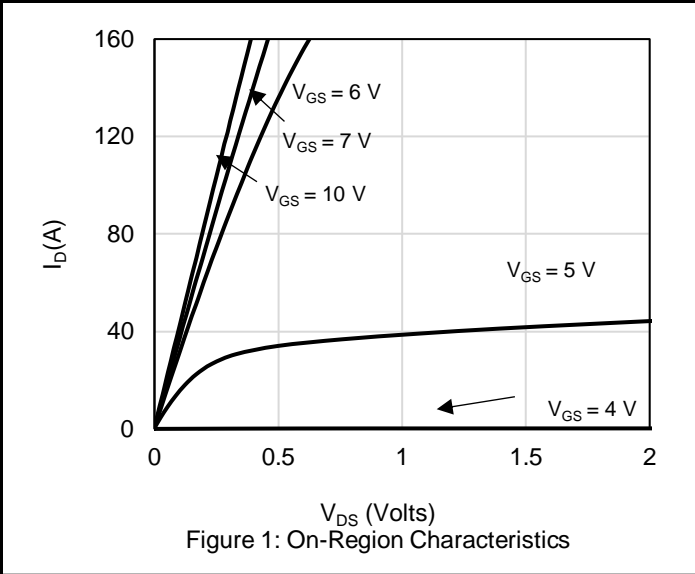
Notes:

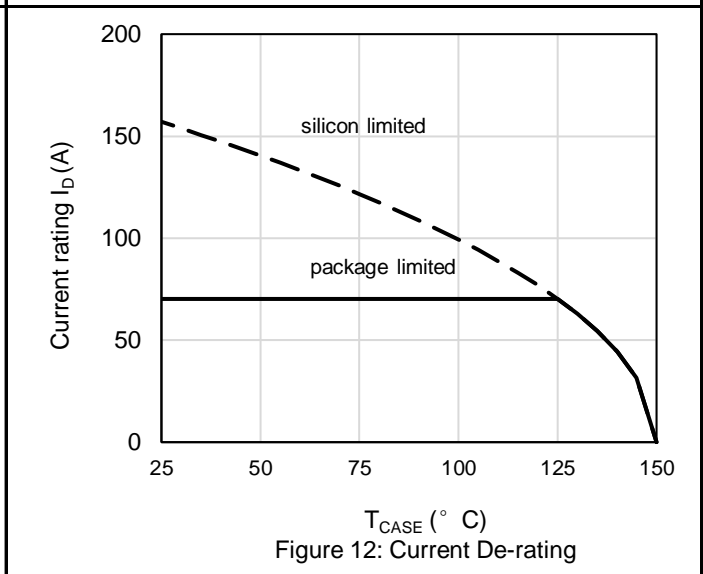
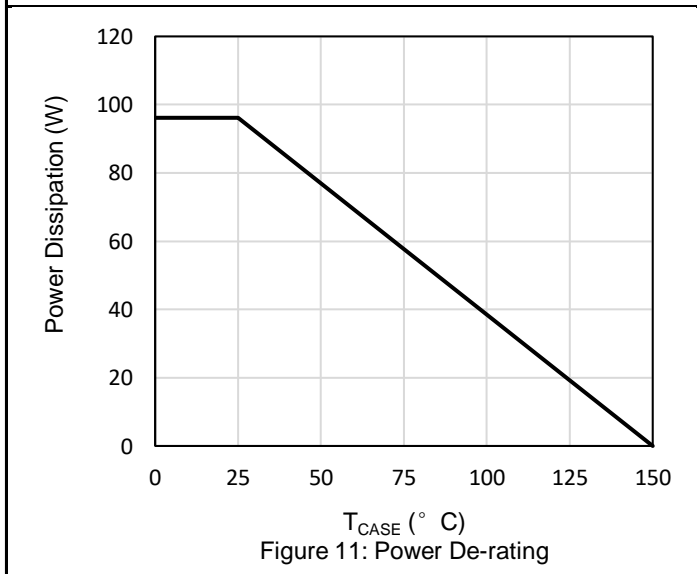
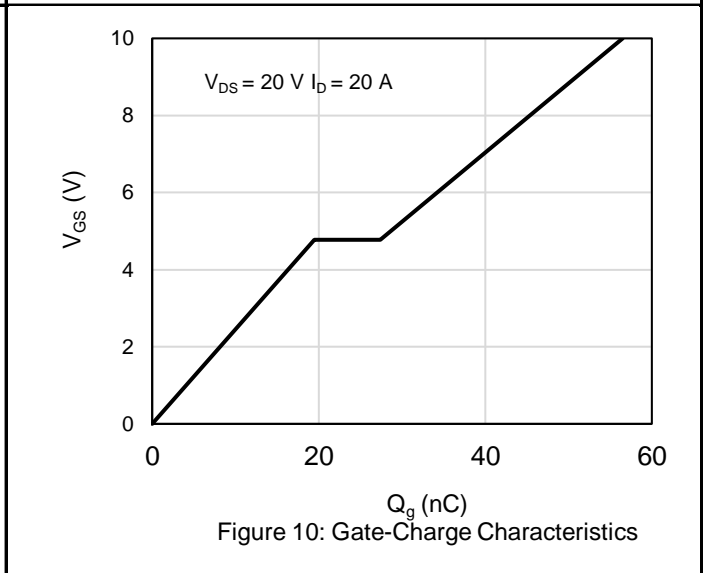
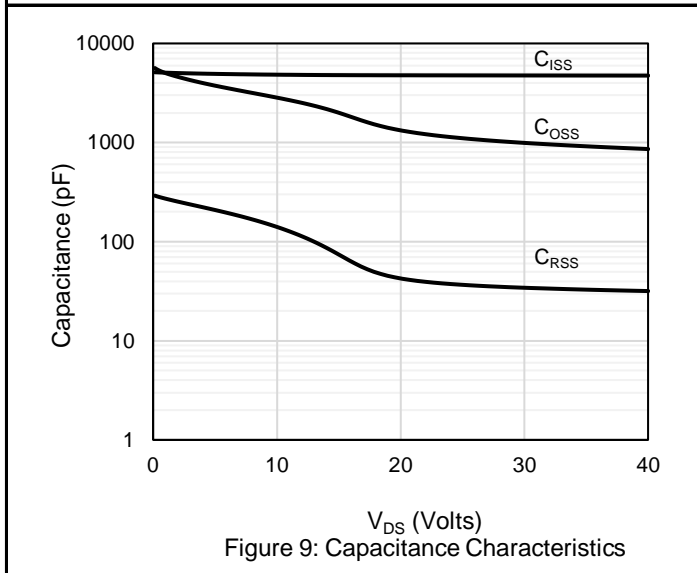
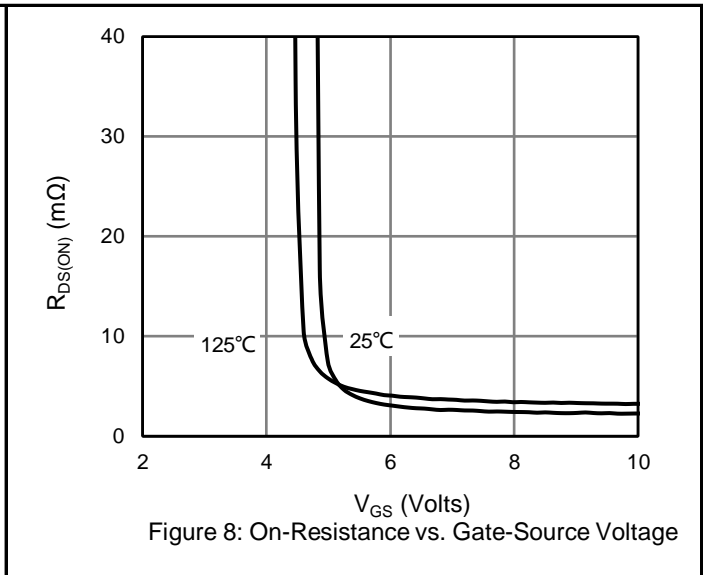
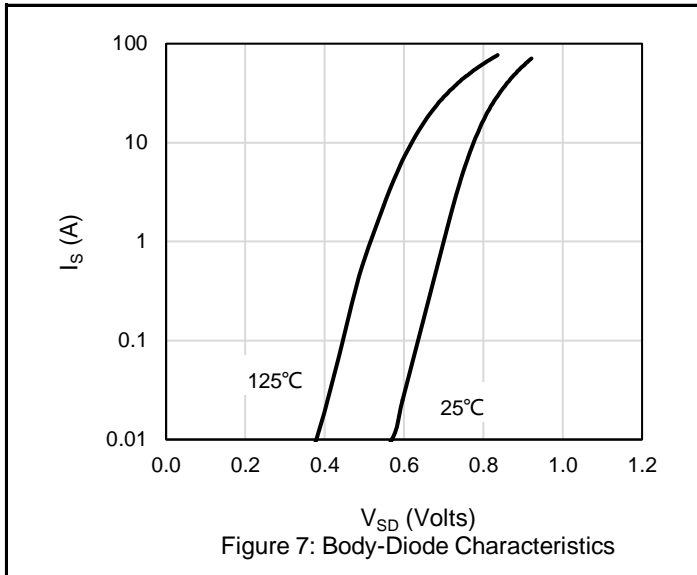
1. The max drain current rating is package limited
2. Repetitive Rating: Pulse width limited by maximum junction temperature
3. $L = 0.5 \text{ mH}$, $V_{DD} = 20\text{V}$, $I_{AS} = 38 \text{ A}$, $R_G = 25 \Omega$, Starting $T_J = 25^\circ\text{C}$
4. Mount on minimum PCB layout

Electrical Characteristics ($T_J = 25^\circ\text{C}$ unless otherwise noted)

| Symbol | Parameter | Test Conditions | Min | Typ | Max | Units |
|---|---|---|-----|------|-----------|---------------|
| Static Characteristics | | | | | | |
| BV_{DSS} | Drain-Source Breakdown Voltage | $V_{GS} = 0\text{ V}, I_D = 250\ \mu\text{A}$ | 40 | | | V |
| I_{DSS} | Zero Gate Voltage Drain Current | $V_{DS} = 40\text{ V}, V_{GS} = 0\text{ V}$ | | | 1 | μA |
| I_{GSS} | Gate Leakage Current | $V_{GS} = \pm 20\text{ V}, V_{DS} = 0\text{ V}$ | | | ± 100 | nA |
| $V_{GS(TH)}$ | Gate Threshold voltage | $V_{DS} = V_{GS}, I_D = 250\ \mu\text{A}$ | 2 | 3.2 | 4 | V |
| $R_{DS(ON)}$ | Drain-Source on-state resistance | $V_{GS} = 10\text{ V}, I_D = 20\text{ A}$ | | 2.2 | 2.65 | m Ω |
| Dynamic Characteristics | | | | | | |
| C_{ISS} | Input Capacitance | $V_{DS} = 20\text{ V}, V_{GS} = 0\text{ V},$ $F = 1\text{ MHz}$ | | 3244 | | pF |
| C_{OSS} | Output Capacitance | | | 1077 | | pF |
| C_{RSS} | Reverse Transfer Capacitance | | | 52 | | pF |
| R_G | Gate Resistance | $F = 1\text{ MHz}$ | | 6 | | Ω |
| Switching Characteristics | | | | | | |
| $T_{D(ON)}$ | Turn On Delay Time | $V_{DD} = 20\text{ V}, R_L = 1\ \Omega,$ $V_{GS} = 10\text{ V}, R_G = 6\ \Omega$ | | 21.5 | | nS |
| T_R | Rise Time | | | 44.5 | | nS |
| $T_{D(OFF)}$ | Turn Off Delay Time | | | 67.5 | | nS |
| T_F | Fall Time | | | 24.5 | | nS |
| Q_G | Total Gate Charge | $V_{DD} = 20\text{ V}, I_D = 20\text{ A},$ $V_{GS} = 10\text{ V}$ | | 56.5 | | nC |
| Q_{GS} | Gate-Source Charge | | | 19.5 | | nC |
| Q_{GD} | Gate-Drain Charge | | | 7.9 | | nC |
| Drain-Source Diode Characteristics and Maximum Ratings | | | | | | |
| I_S | Maximum Continuous Body-Diode Forward Current | | | | 70 | A |
| I_{SM} | Maximum Pulsed Body-Diode Forward Current ^(NOTE 1) | | | | 280 | A |
| V_{SD} | Diode Forward Voltage | $V_{GS} = 0\text{ V}, I_S = 1\text{ A}$ | | 0.7 | 1 | V |
| T_{RR} | Reverse recovery time | $V_{DD} = 20\text{ V}, I_D = 15\text{ A},$ $di/dt = 100\text{ A}/\mu\text{S}$ | | 54.3 | | ns |
| Q_{RR} | Reverse recovery charge | | | 59.5 | | nC |
| I_{RRM} | Peak Reverse Recovery Current | | | 1.8 | | A |

Electrical Characteristics Diagrams





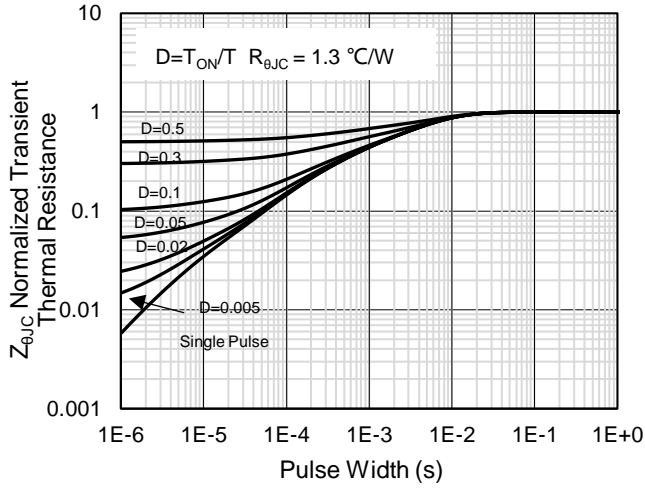


Figure 13: Normalized Maximum Transient Thermal Impedance

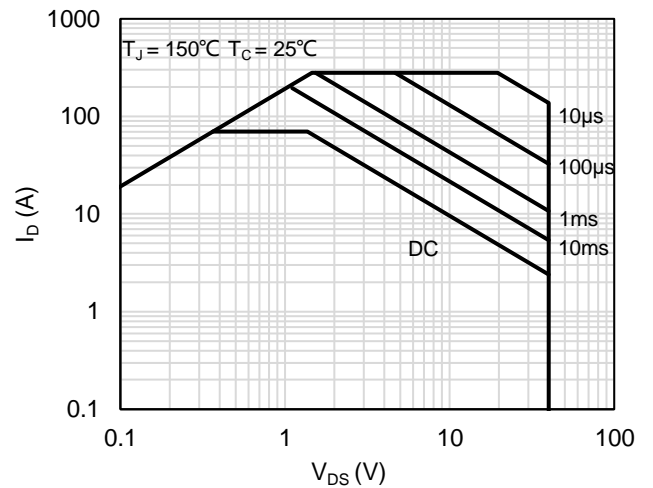
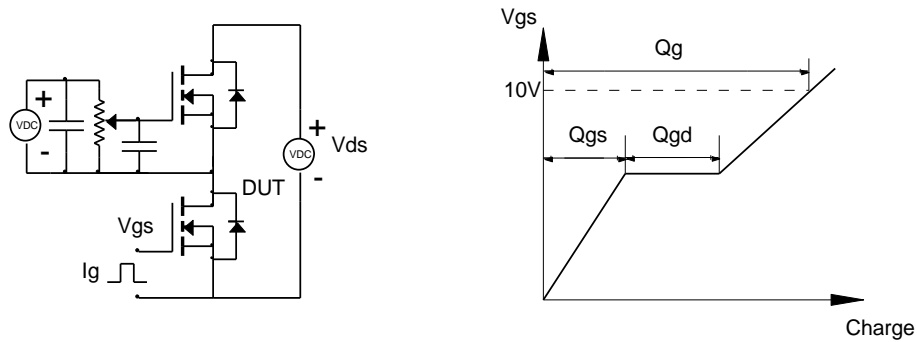


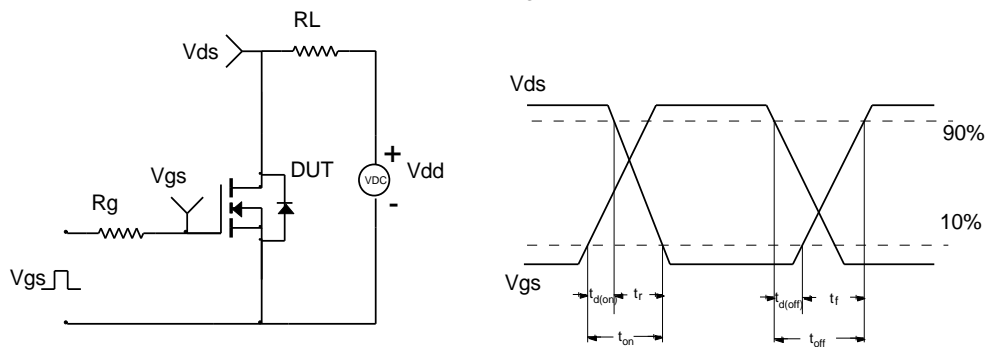
Figure 14: Maximum Forward Biased Safe Operating Area

Test Circuit and Waveform

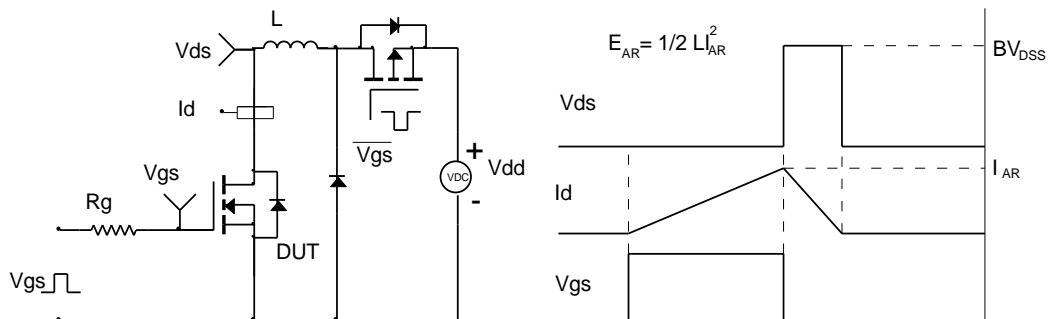
Gate Charge Test Circuit & Waveform



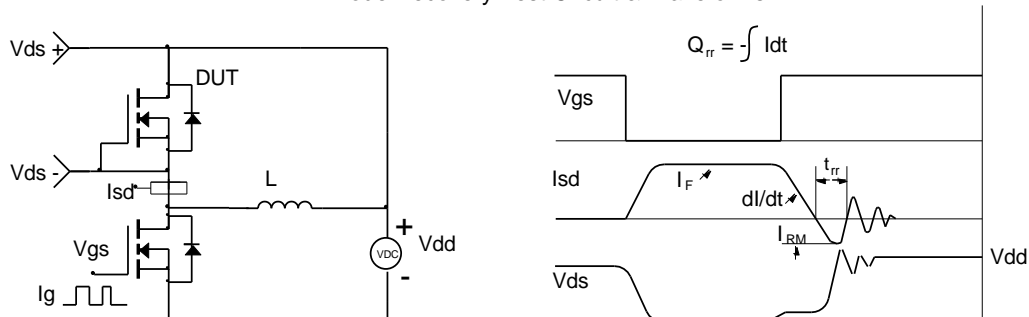
Resistive Switching Test Circuit & Waveforms



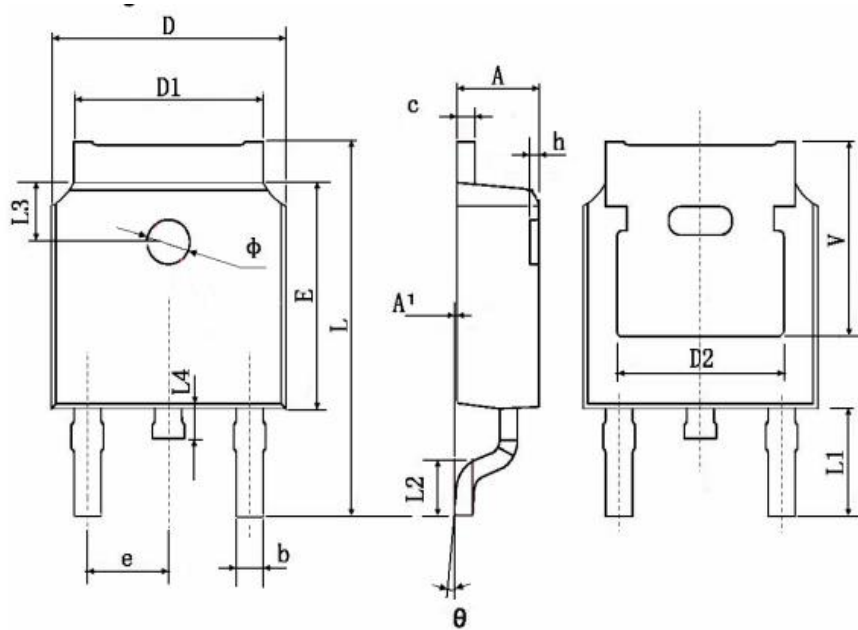
Unclamped Inductive Switching (UIS) Test Circuit & Waveforms



Diode Recovery Test Circuit & Waveforms



Package Outlines



| Symbol | Dimensions In Millimeters | | Dimensions In Inches | |
|--------|---------------------------|--------|----------------------|-------|
| | Min. | Max. | Min. | Max. |
| A | 2.250 | 2.350 | 0.089 | 0.093 |
| A1 | 0.050 | 0.150 | 0.002 | 0.006 |
| b | 0.660 | 0.860 | 0.026 | 0.034 |
| c | 0.458 | 0.558 | 0.018 | 0.022 |
| D | 6.550 | 6.650 | 0.259 | 0.263 |
| D1 | 5.234 | 5.434 | 0.207 | 0.215 |
| D2 | 4.826 TYP. | | 0.191 TYP. | |
| E | 6.050 | 6.150 | 0.239 | 0.243 |
| e | 2.236 | 2.336 | 0.088 | 0.092 |
| L | 9.820 | 10.220 | 0.388 | 0.404 |
| L1 | 3.000 TYP. | | 0.119 TYP. | |
| L2 | 1.400 | 1.600 | 0.055 | 0.063 |
| L3 | 1.800 TYP. | | 0.071 TYP. | |
| L4 | 0.700 | 0.900 | 0.028 | 0.036 |
| Φ | 1.150 | 1.250 | 0.045 | 0.049 |
| θ | 0° | 3° | 0° | 3° |
| h | 0.000 | 0.300 | 0.000 | 0.012 |
| V | 5.399 TYP | | 0.213 TYP | |

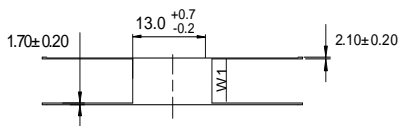
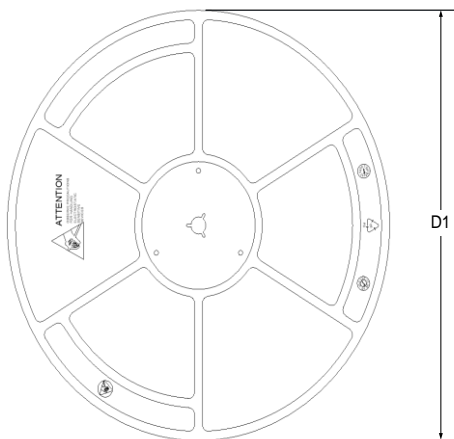
Marking Information



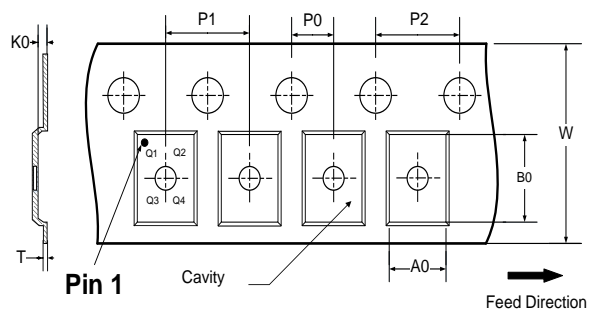
Note:
 G4N026KM = Product Name Code
 XXXXXXXX = Date code
 Contact ALKAIDSEMI sales for detail information

Reel Information

REEL DIMENSIONS



TAPE DIMENSIONS



- A0: Dimension designed to accommodate the component width
- B0: Dimension designed to accommodate the component length
- K0: Dimension designed to accommodate the component thickness
- W: Overall width of the carrier tape
- P0: Pitch between successive cavity centers and sprocket hole
- P1: Pitch between successive cavity centers
- P2: Pitch between sprocket hole
- T: Tape material thickness
- D1: Reel Diameter
- W1: Reel Width

| | | DIMENSIONS | | | | | | | | (Unit: mm) | |
|----------------------------|-----|------------|----|----|-----|------|-----|------|----------------|------------|--|
| Reel | D1 | W1 | | | | | | | | Material | |
| | 330 | 20.5 | | | | | | | | Hips | |
| Tape | P0 | P1 | P2 | W | A0 | B0 | K0 | T | Pin 1 Quadrant | Material | |
| | 4 | 8 | 2 | 16 | 6.9 | 10.5 | 2.9 | 0.27 | Q1 | PC | |
| All dimensions are nominal | | | | | | | | | | | |

Revision History

| Revision | Release Date | Remark |
|----------|--------------|-----------------|
| Rev.1.0 | 2022/6/22 | Initial Release |

Disclaimer

The information given in this document describes the independent performance of the product, but similar performance is not guaranteed under other working conditions, and cannot be guaranteed when installed with other products or equipment. To achieve the required performance of the product in actual scenarios, the customer should conduct a complete application test to assess the functionality of the product.

Alkaidsemi assumes no responsibility for equipment failures result from using products at values that exceed the ratings, operating conditions, or other parameters listed in the product specifications.

The product described in this specification is not applicable for aerospace or other applications which requires high reliability. Customers using or selling these products for use in medical, life-saving, or life-sustaining applications do so at their own risk and agree to fully indemnify.

Due to product or technical improvements, the information described or contained herein may be changed without prior notice.