

100V 10mohm N-channel SGT MOSFET

AKG10N100DM

Description:

This N channel SGT MOSFET has been designed to very low on-state resistance and superior UIS performance, especially for Motor Drivers application.

Features:

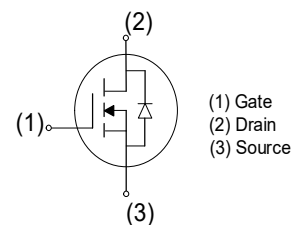
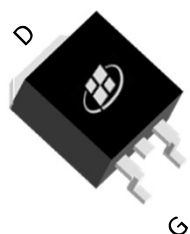
- LOW $R_{DS(ON)}$
- RoHS compliant (Note 1)
- Halogen-free (Note 1)
- 100% UIS tested

Applications:

- Battery Management System
- Motor Drivers
- DC-DC Converter

Key Performance Parameters:

Parameter	Value	Unit
V_{DS}	100	V
$R_{DS(ON), max} @V_{GS} = 10V$	10	m Ω
I_D	70	A



Ordering Information:

Ordering Code	Package Type	Marking Code	Form	Packing
AKG10N100DM	TO-263	G10N100DM	13 Inches Reel	1000PCS

Notes:

1. Contact ALKAIDSEMI sales for detail information

Maximum Ratings ($T_A = 25^\circ\text{C}$ unless otherwise noted)

Symbol	Parameter	Value	Units
V_{DS}	Drain-Source Voltage	100	V
I_D	Drain Current - Continuous ($T_C = 25^\circ\text{C}$) ^(Note 1)	85	A
	Drain Current - Continuous ($T_C = 25^\circ\text{C}$) ^(Note 2)	70	A
	Drain Current - Continuous ($T_C = 100^\circ\text{C}$)	54	A
I_{DM}	Drain Current - Pulsed ^(Note 3)	280	A
V_{GS}	Gate-Source Voltage	± 20	V
E_{AS}	Single Pulsed Avalanche Energy ^(Note 4)	95	mJ
P_D	Power Dissipation ($T_C = 25^\circ\text{C}$)	138	W
T_J, T_{STG}	Operating and Storage Temperature Range	-55 to +150	$^\circ\text{C}$

Thermal Characteristics

Symbol	Parameter	Value	Units
$R_{\theta JC}$	Thermal Resistance, Junction-to-Case, Steady-State	0.9	$^\circ\text{C/W}$
$R_{\theta JA}$	Thermal Resistance, Junction-to-Ambient, Steady State ^(Note 5)	50	$^\circ\text{C/W}$

Notes:

1. The max drain current rating is silicon limited
2. The max drain current rating is package limited
3. Repetitive Rating: Pulse width limited by maximum junction temperature
4. $L = 0.5\text{ mH}$, $V_{DD} = 50\text{ V}$, $I_{AS} = 19.5\text{ A}$, $R_G = 25\ \Omega$, Starting $T_J = 25\ ^\circ\text{C}$
5. Mount on minimum PCB layout

Electrical Characteristics ($T_J = 25^\circ\text{C}$ unless otherwise noted)						
Symbol	Parameter	Test Conditions	Min	Typ	Max	Units
Static Characteristics						
BV_{DSS}	Drain-Source Breakdown Voltage	$V_{GS} = 0\text{ V}, I_D = 250\ \mu\text{A}$	100			V
I_{DSS}	Zero Gate Voltage Drain Current	$V_{DS} = 100\text{ V}, V_{GS} = 0\text{ V}$			1	μA
I_{GSS}	Gate Leakage Current	$V_{GS} = \pm 20\text{ V}, V_{DS} = 0\text{ V}$			± 100	nA
$V_{GS(TH)}$	Gate Threshold voltage	$V_{DS} = V_{GS}, I_D = 250\ \mu\text{A}$	2	3	4	V
$R_{DS(ON)}$	Drain-Source on-state resistance	$V_{GS} = 10\text{ V}, I_D = 20\text{ A}$		8.5	10	m Ω
Dynamic Characteristics						
C_{ISS}	Input Capacitance	$V_{DS} = 50\text{ V}, V_{GS} = 0\text{ V},$ $F = 1\text{ MHz}$		1611		pF
C_{OSS}	Output Capacitance			549		pF
C_{RSS}	Reverse Transfer Capacitance			30		pF
R_G	Gate Resistance	$F = 1\text{ MHz}$		1.6		Ω
Switching Characteristics						
$T_{D(ON)}$	Turn On Delay Time	$V_{DD} = 50\text{ V}, R_L = 2.5\ \Omega,$ $V_{GS} = 10\text{ V}, R_G = 6.8\ \Omega$		12		nS
T_R	Rise Time			22		nS
$T_{D(OFF)}$	Turn Off Delay Time			24		nS
T_F	Fall Time			14		nS
Q_G	Total Gate Charge	$V_{DD} = 50\text{ V}, I_D = 20\text{ A},$ $V_{GS} = 10\text{ V}$		26.3		nC
Q_{GS}	Gate-Source Charge			6.6		nC
Q_{GD}	Gate-Drain Charge			8.6		nC
Drain-Source Diode Characteristics and Maximum Ratings						
I_S	Maximum Continuous Body-Diode Forward Current				70	A
I_{SM}	Maximum Pulsed Body-Diode Forward Current ^(NOTE 1)				280	A
V_{SD}	Diode Forward Voltage	$V_{GS} = 0\text{ V}, I_S = 1\text{ A}$		0.75	1	V
T_{RR}	Reverse Recovery Time	$V_{DD} = 50\text{ V}, I_D = 20\text{ A},$ $di/dt = 100\text{ A}/\mu\text{S}$		52		nS
Q_{RR}	Reverse Recovery Charge			72		nC
I_{RRM}	Peak Reverse Recovery Current			2.3		A

Electrical Characteristics Diagrams

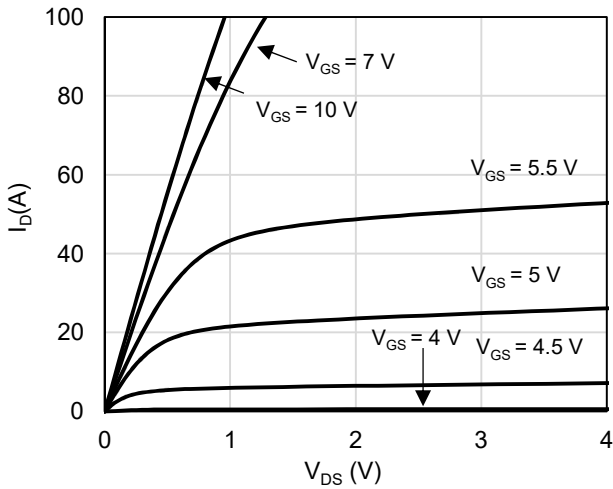


Figure 1: On-Region Characteristics

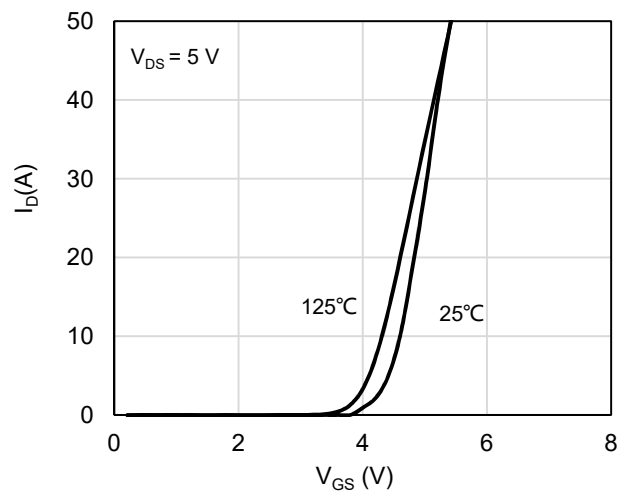


Figure 2: Transfer Characteristics

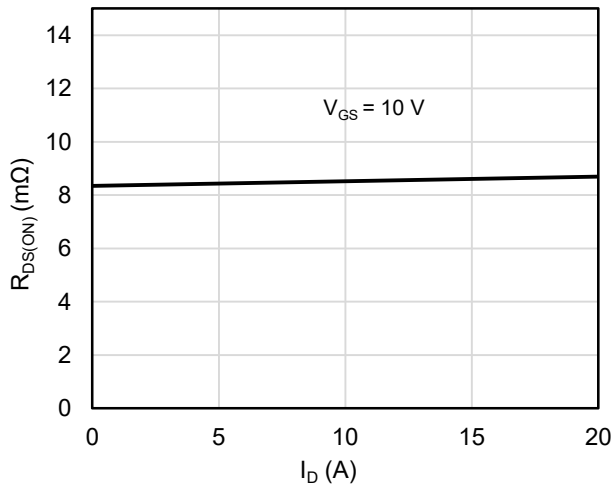


Figure 3: On-Resistance vs. Drain Current and Gate Voltage

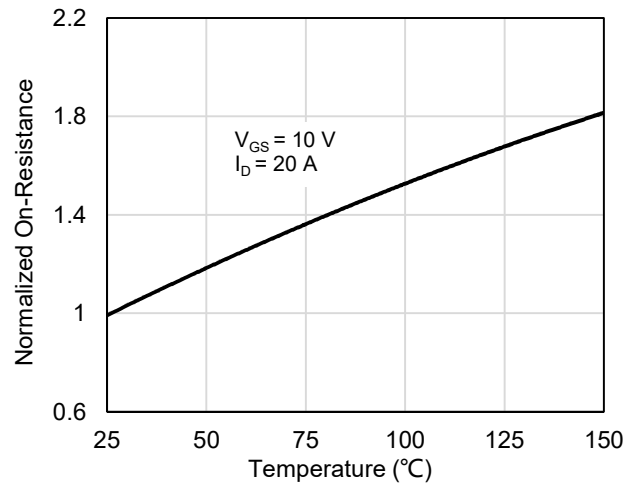


Figure 4: On-Resistance vs. Junction Temperature

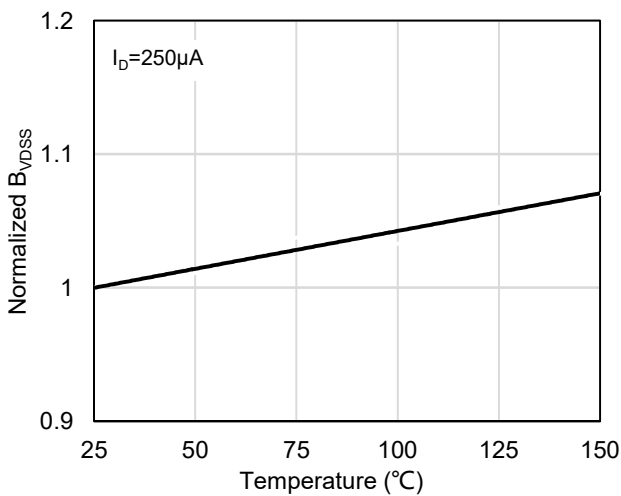


Figure 5: Breakdown Voltage vs. Junction Temperature

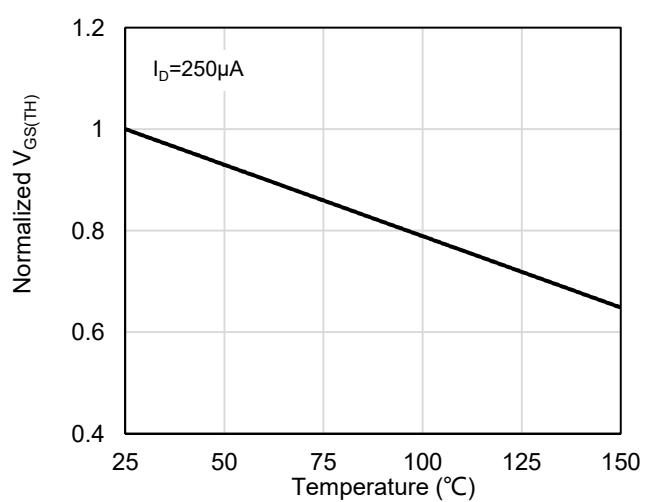


Figure 6: Threshold Voltage vs. Junction Temperature

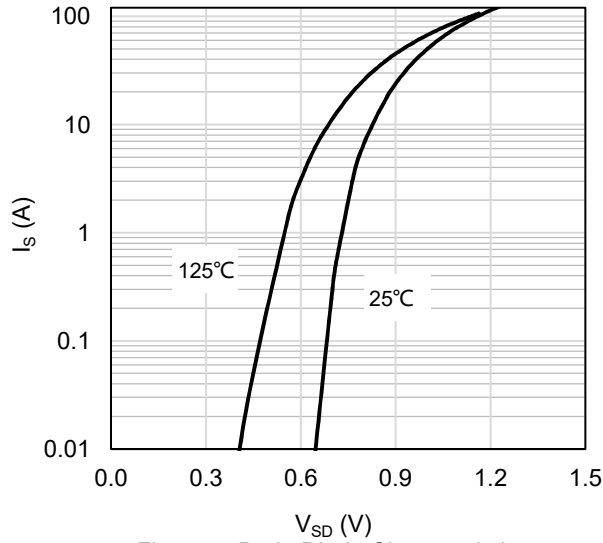


Figure 7: Body-Diode Characteristics

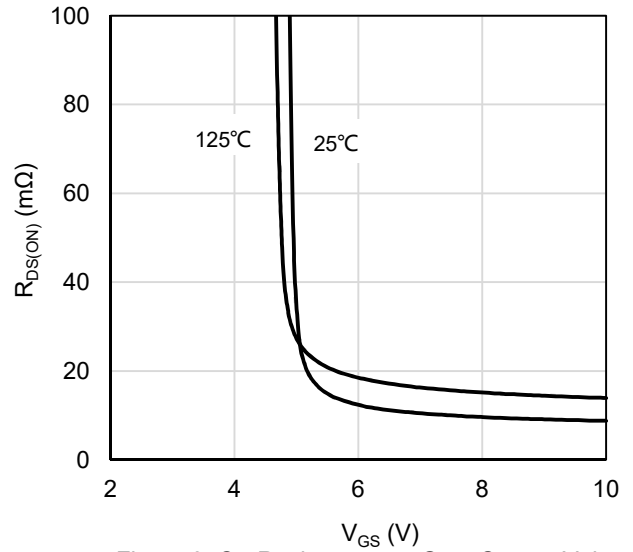


Figure 8: On-Resistance vs. Gate-Source Voltage

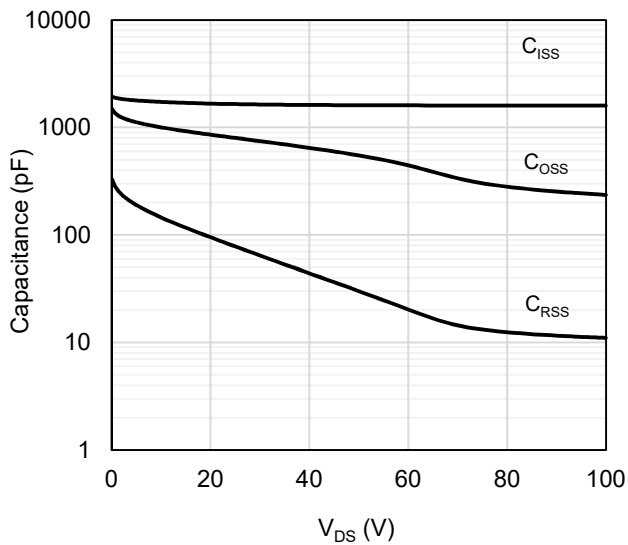


Figure 9: Capacitance Characteristics

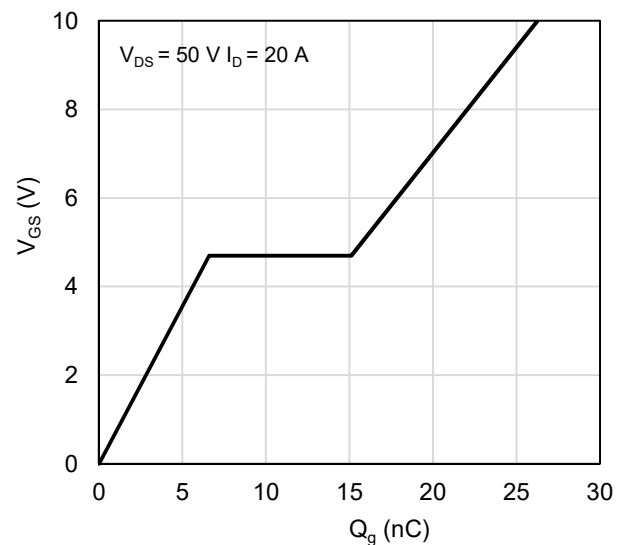


Figure 10: Gate-Charge Characteristics

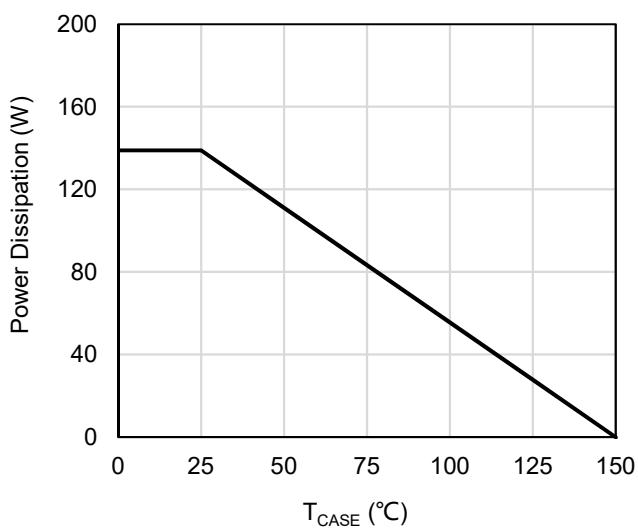


Figure 11: Power De-rating

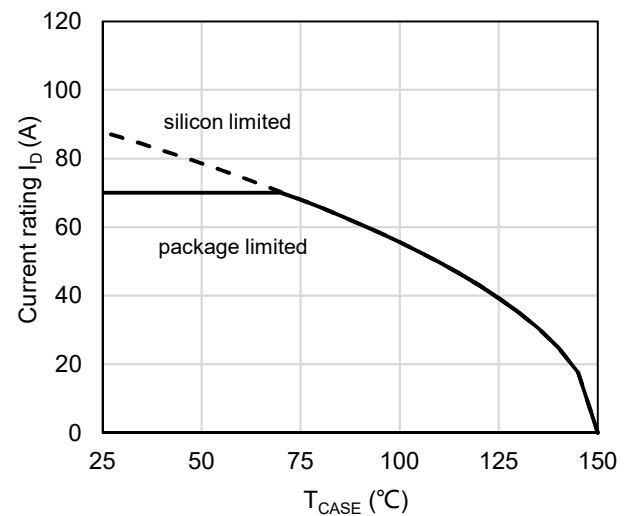


Figure 12: Current De-rating

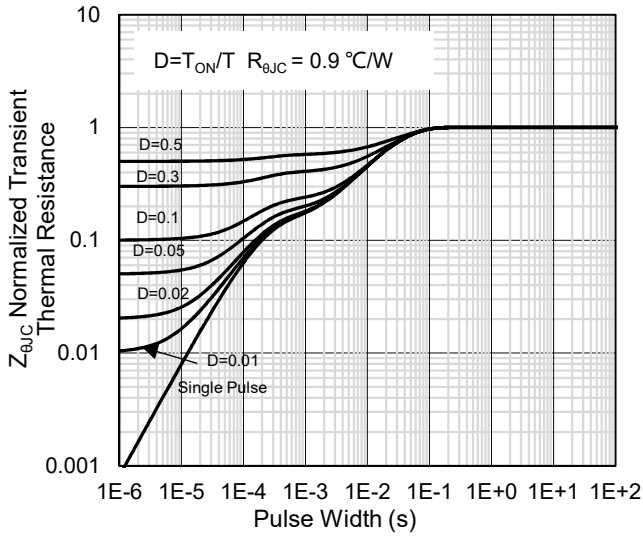


Figure 13: Normalized Maximum Transient Thermal Impedance

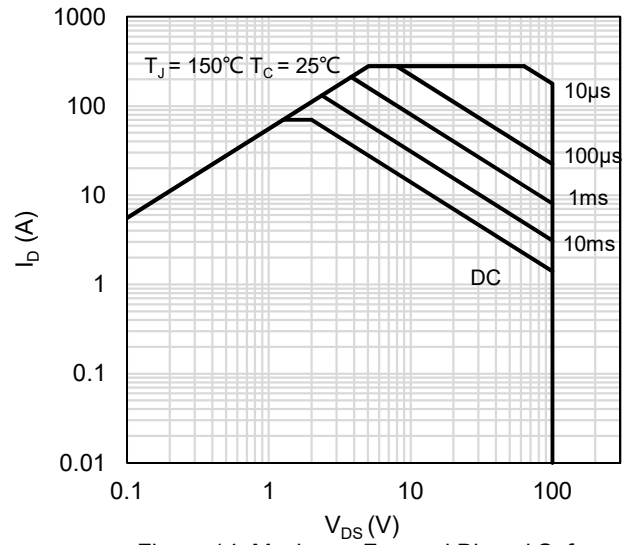
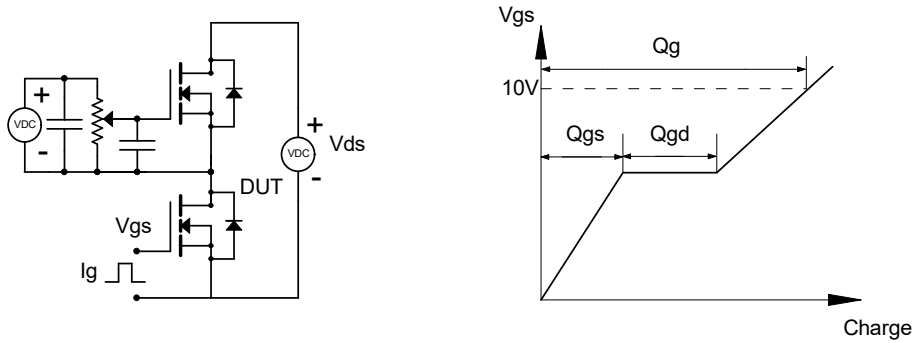


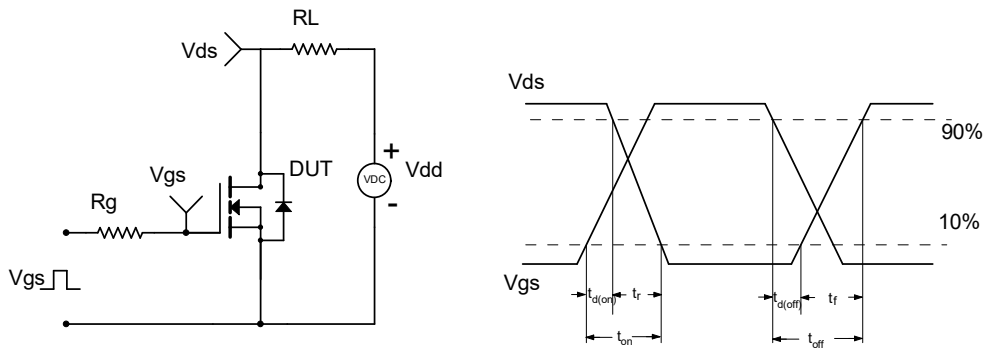
Figure 14: Maximum Forward Biased Safe Operating Area

Test Circuit and Waveform

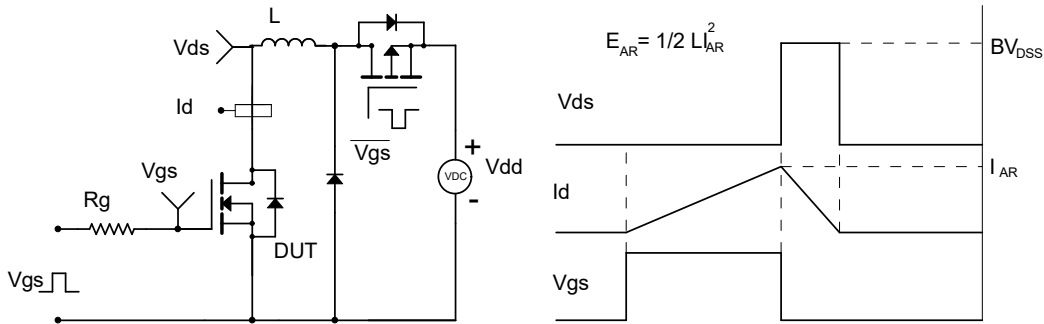
Gate Charge Test Circuit & Waveform



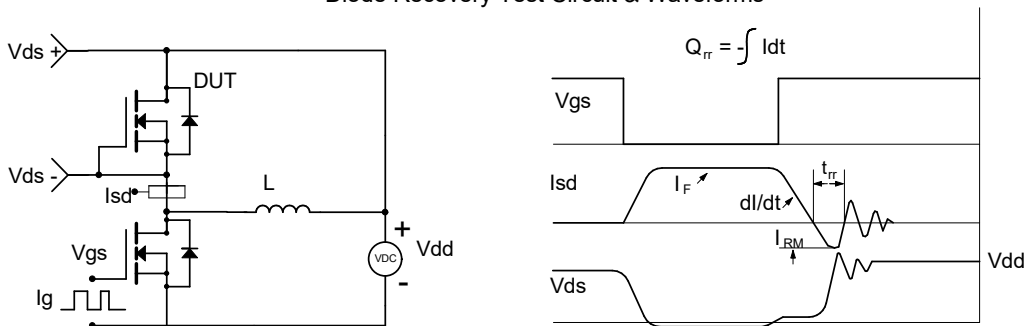
Resistive Switching Test Circuit & Waveforms



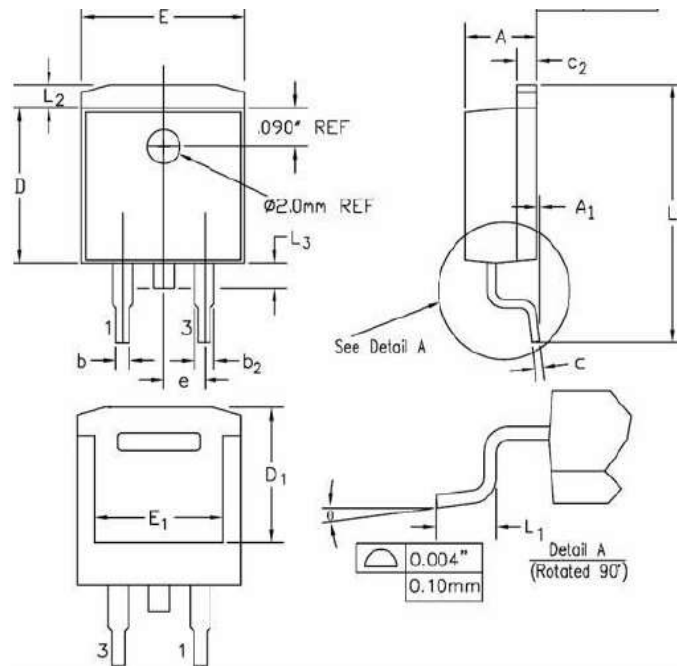
Unclamped Inductive Switching (UIS) Test Circuit & Waveforms



Diode Recovery Test Circuit & Waveforms

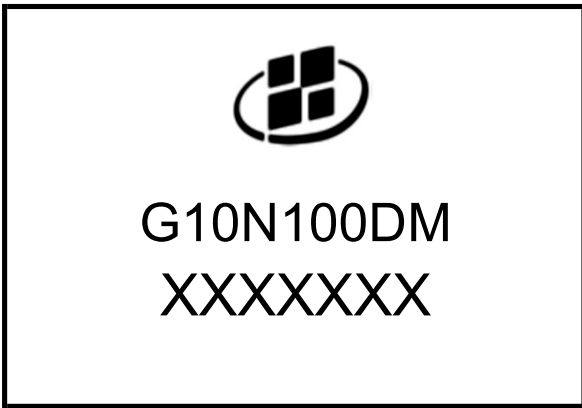


Package Outlines



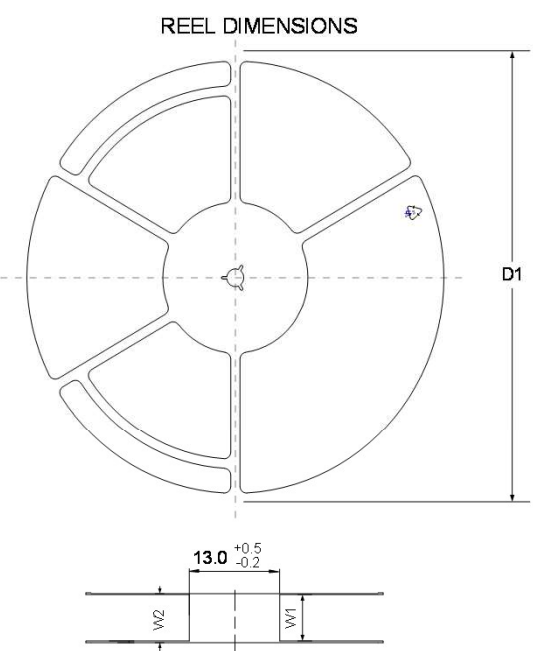
SYMBOL	INCHES		MILLIMETERS		NOTES
	MIN	MAX	MIN	MAX	
A	0.170	0.180	4.32	4.57	
A1	-	0.010	-	0.25	
b	0.028	0.037	0.71	0.94	
b2	0.045	0.055	1.15	1.40	
c	0.018	0.024	0.46	0.61	
c2	0.048	0.055	1.22	1.40	
D	0.350	0.370	8.89	9.40	
D1	0.315	0.324	8.01	8.23	
E	0.395	0.405	10.04	10.28	
E1	0.310	0.318	7.88	8.08	
e	0.100 BSC.		2.54 BSC.		
L	0.580	0.620	14.73	15.75	
L1	0.090	0.110	2.29	2.79	
L2	0.045	0.055	1.15	1.39	
L3	0.050	0.070	1.27	1.77	
θ	0°	8°	0°	8°	

Marking Information



Note:
 G10N100DM = Product Name Code
 XXXXXXXX = Date code
 Contact ALKAIDSEMI sales for detail information

Tape & Reel Information

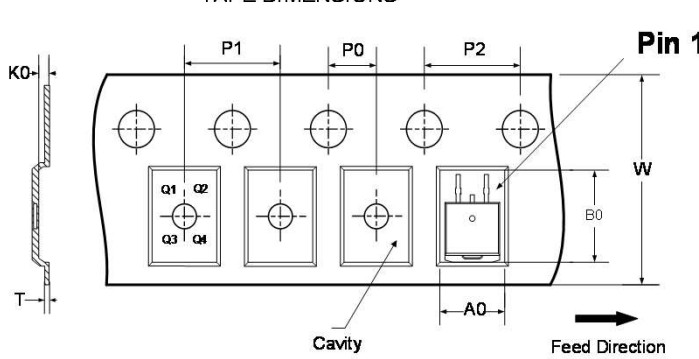


REEL DIMENSIONS

D1: Reel Diameter

13.0^{+0.5}/_{-0.2}

W2, W1



TAPE DIMENSIONS

Pin 1

W, B0, A0, P1, P0, P2, K0, T, Cavity, Feed Direction

A0: Dimension designed to accommodate the component width
 B0: Dimension designed to accommodate the component length
 K0: Dimension designed to accommodate the component thickness
 W: Overall width of the carrier tape
 P0: Pitch between sprocket hole
 P1: Pitch between successive cavity centers
 P2: Pitch between successive cavity centers and sprocket hole
 T: Tape material thickness
 D1: Reel Diameter
 W1: Reel Width

DIMENSIONS										(Unit: mm)	
Reel	D1	W1	W2							Material	
	330	25.65	31							Hips	
Tape	P0	P1	P2	W	A0	B0	K0	T	Pin 1 Quadrant	Material	
	4	12	2	24	10.5	16.1	5.1	0.4	Q2	PC	

All dimensions are nominal

Revision History

Revision	Release Date	Remark
Rev.1.0	2022/12/9	Initial Release

Disclaimer

The information given in this document describes the independent performance of the product, but similar performance is not guaranteed under other working conditions, and cannot be guaranteed when installed with other products or equipment. To achieve the required performance of the product in actual scenarios, the customer should conduct a complete application test to assess the functionality of the product.

Alkaidsemi assumes no responsibility for equipment failures result from using products at values that exceed the ratings, operating conditions, or other parameters listed in the product specifications.

The product described in this specification is not applicable for aerospace or other applications which requires high reliability. Customers using or selling these products for use in medical, life-saving, or life-sustaining applications do so at their own risk and agree to fully indemnify.

Due to product or technical improvements, the information described or contained herein may be changed without prior notice.