

30V 1.5mohm N-channel SGT MOSFET AKG3N015GL-T

Description:

This N channel SGT MOSFET has been designed to very low on-state resistance and maintain superior switching performance, especially for high efficiency power management applications.

Features:

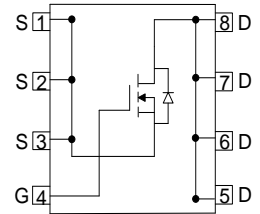
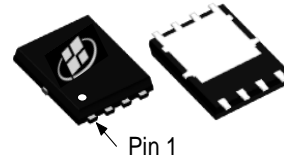
- Low FOM $R_{DS(ON)} \times Q_G$
- Low $R_{DS(ON)}$
- RoHS compliant
- Halogen-free

Applications:

- Battery Management System
- Motor Drivers
- DC-DC Converter

Key Performance Parameters:

Parameter	Value	Unit
V_{DS}	30	V
$R_{DS(ON), max} @ V_{GS} = 10 V$	1.5	m Ω
I_D	165	A



Ordering Information:

Ordering Code	Package Type	Marking Code	Form	Packing
AKG3N015GL-T	PDFN5X6	G3N015GL	Tape Reel	5000 per reel

Maximum Ratings ($T_A = 25^\circ\text{C}$ unless otherwise noted)

Symbol	Parameter	Value	Units
V_{DS}	Drain - Source Voltage	30	V
I_D	Drain Current - Continuous ($T_C = 25^\circ\text{C}$) ^(Note 1)	165	A
	Drain Current - Continuous ($T_C = 100^\circ\text{C}$)	104	A
I_{DM}	Drain Current - Pulsed ^(Note 2)	660	A
V_{GS}	Gate - Source Voltage	± 20	V
E_{AS}	Single Pulsed Avalanche Energy ^(Note 3)	132	mJ
P_D	Power Dissipation ($T_C = 25^\circ\text{C}$)	69	W
T_J, T_{STG}	Operating and Storage Temperature Range	-55 to +150	$^\circ\text{C}$

Thermal Characteristics

Symbol	Parameter	Value	Units
$R_{\theta JC}$	Thermal Resistance, Junction - to - Case, Steady State	1.8	$^\circ\text{C}/\text{W}$
$R_{\theta JA}$	Thermal Resistance, Junction - to - Ambient, Steady State ^(Note 4)	45	$^\circ\text{C}/\text{W}$

Notes:

1. The max drain current rating is silicon limited
2. Repetitive Rating: Pulse width limited by maximum junction temperature
3. $L = 0.5 \text{ mH}$, $V_{DD} = 15 \text{ V}$, $I_{AS} = 23 \text{ A}$, $R_g = 25 \Omega$, Starting $T_J = 25^\circ\text{C}$
4. Mount on minimum PCB layout

Electrical Characteristics (T _J = 25°C unless otherwise noted)						
Symbol	Parameter	Test Conditions	Min	Typ	Max	Units
Static Characteristics						
V _{(BR)DSS}	Drain - Source Breakdown Voltage	V _{GS} = 0 V, I _D = 250 μA	30			V
I _{DSS}	Zero Gate Voltage Drain Current	V _{DS} = 30 V, V _{GS} = 0 V,			1	μA
I _{GSS}	Gate Leakage Current	V _{GS} = ± 20 V, V _{DS} = 0 V			±100	nA
V _{GS(th)}	Gate Threshold voltage	V _{DS} = V _{GS} , I _D = 250 μA	1	1.8	2.5	V
R _{DS(ON)}	Drain - Source on - state resistance	V _{GS} = 10 V, I _D = 20 A		1.3	1.5	mΩ
		V _{GS} = 4.5 V, I _D = 15 A		2.2	2.8	
Dynamic Characteristics						
C _{iss}	Input Capacitance	V _{DS} = 15 V, V _{GS} = 0 V, f = 1 MHz		2655		pF
C _{oss}	Output Capacitance			1205		pF
C _{rss}	Reverse Transfer Capacitance			60		pF
R _g	Gate Resistance	f = 1 MHz		1.6		Ω
Switching Characteristics						
t _{d(on)}	Turn On Delay Time	V _{DD} = 15 V, R _L = 0.75 Ω, V _{GS} = 10 V, R _G = 6.8 Ω		11		ns
t _r	Rise Time			37		ns
t _{d(off)}	Turn Off Delay Time			39		ns
t _f	Fall Time			18		ns
Q _g	Total Gate Charge	V _{DD} = 15 V, I _D = 30 A, V _{GS} = 10 V		40		nC
Q _{gs}	Gate - Source Charge			7		nC
Q _{gd}	Gate - Drain Charge			10		nC
Drain - Source Diode Characteristics and Maximum Ratings						
I _S	Maximum Continuous Body - Diode Forward Current				165	A
I _{SM}	Maximum Pulsed Body - Diode Forward Current				660	A
V _{SD}	Diode Forward Voltage	V _{GS} = 0 V, I _S = 1 A		0.66		V
t _{rr}	Reverse recovery time	V _{DD} = 15 V, I _D = 15 A, di/dt = 100 A/μs		50		ns
Q _{rr}	Reverse recovery charge			42		nC
I _{rrm}	Peak Reverse Recovery Current			1.2		A

Electrical Characteristics Diagrams

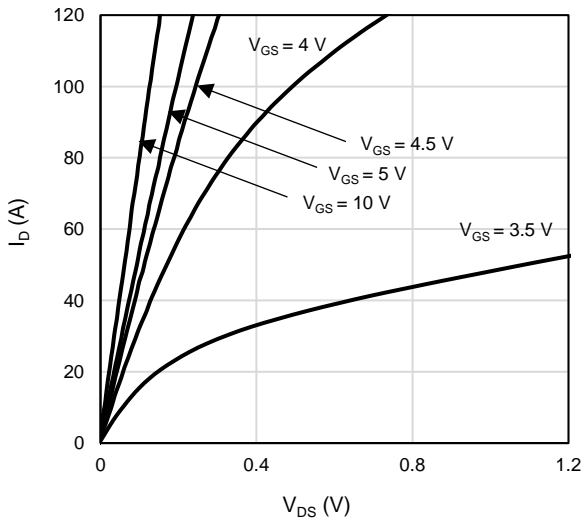


Figure 1: On-Region Characteristics

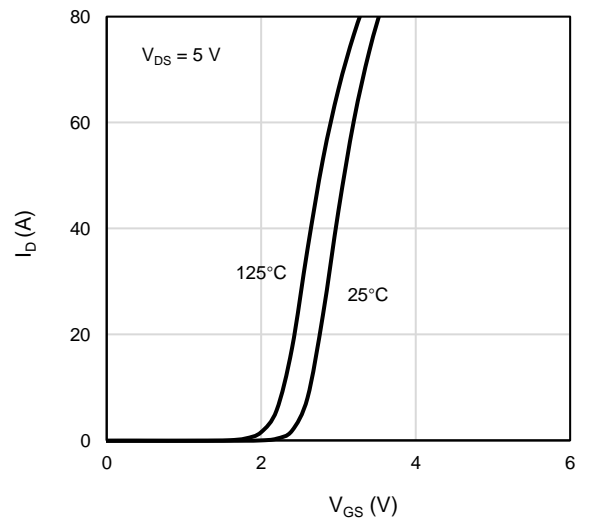


Figure 2: Transfer Characteristics

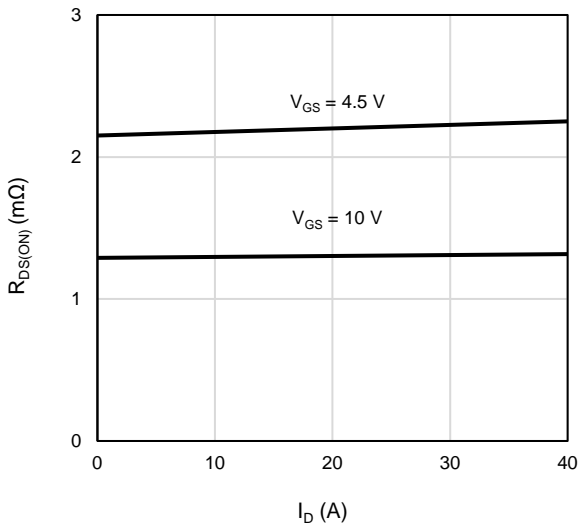


Figure 3: On-Resistance vs. Drain Current and Gate Voltage

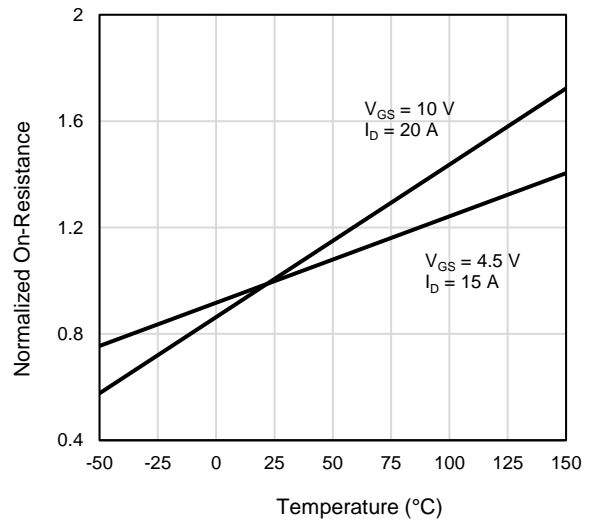


Figure 4: On-Resistance vs. Junction Temperature

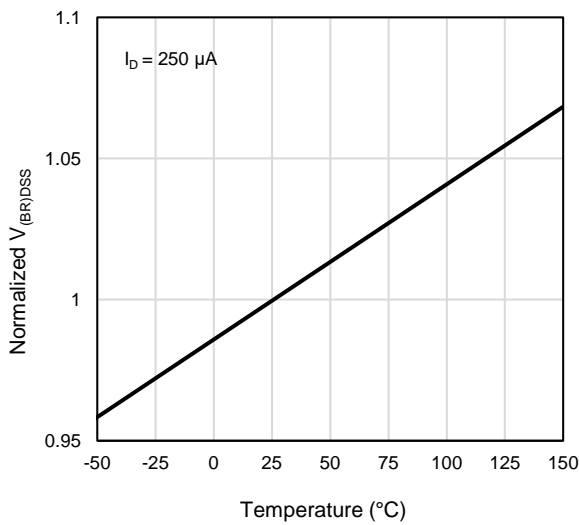


Figure 5: Breakdown Voltage vs. Junction Temperature

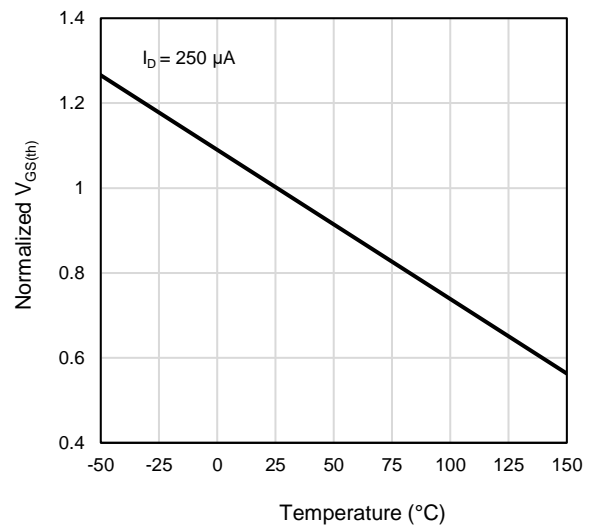


Figure 6: Threshold Voltage vs. Junction Temperature

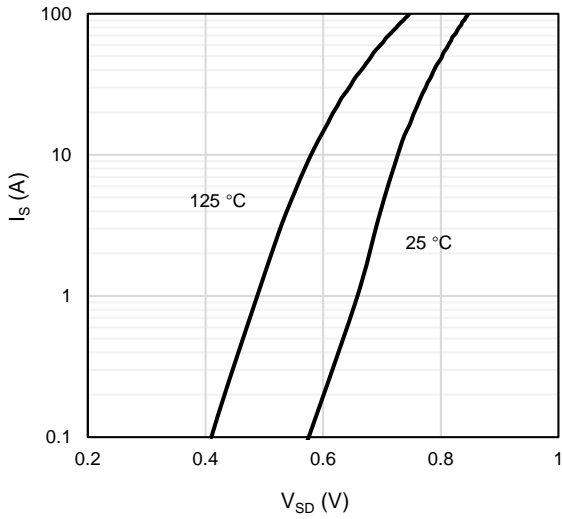


Figure 7: Body-Diode Characteristics

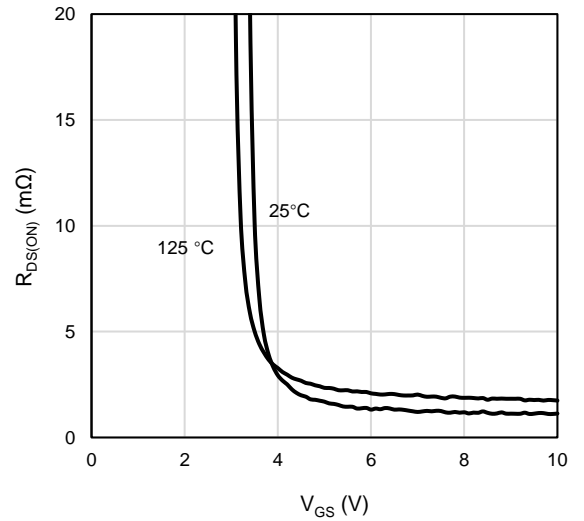


Figure 8: On-Resistance vs. Gate-Source Voltage

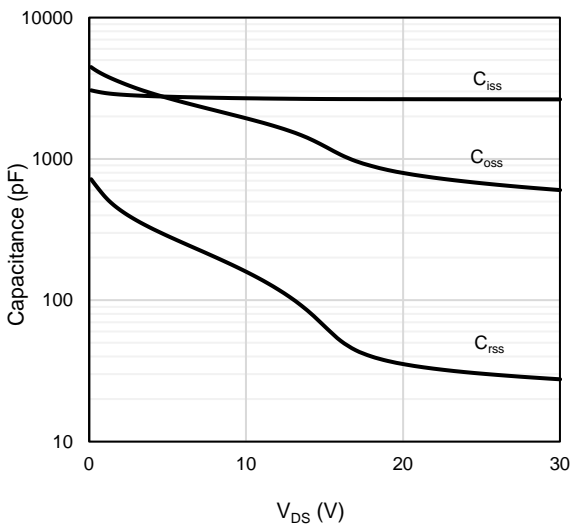


Figure 9: Capacitance Characteristics

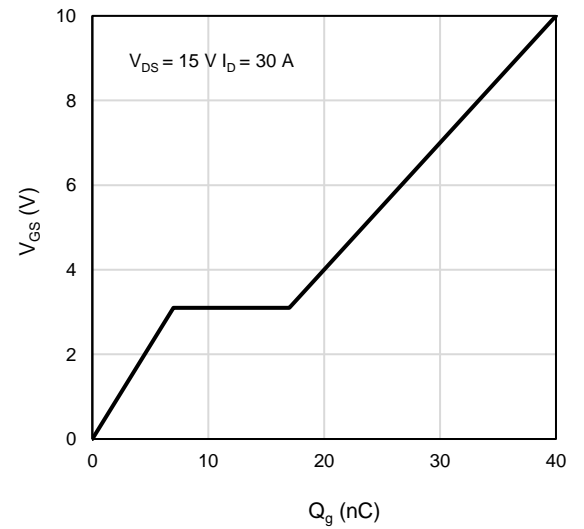


Figure 10: Gate-Charge Characteristics

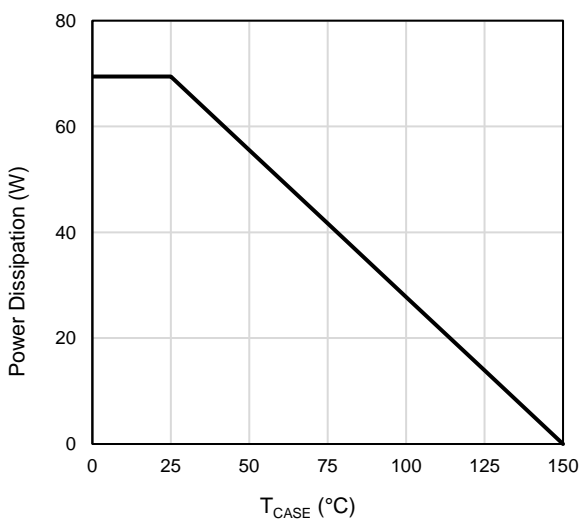


Figure 11: Power De-rating

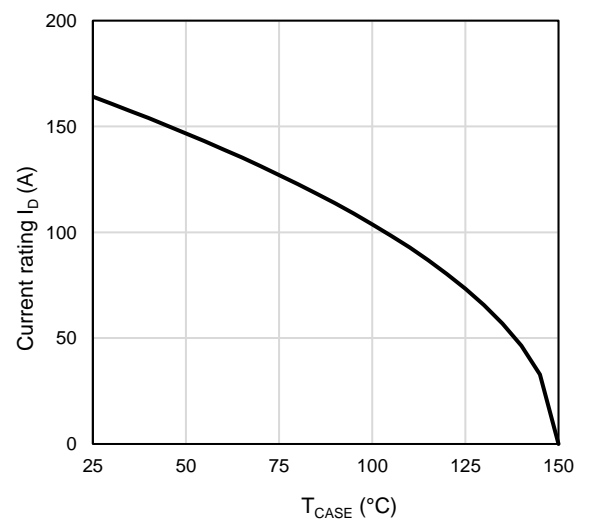


Figure 12: Current De-rating

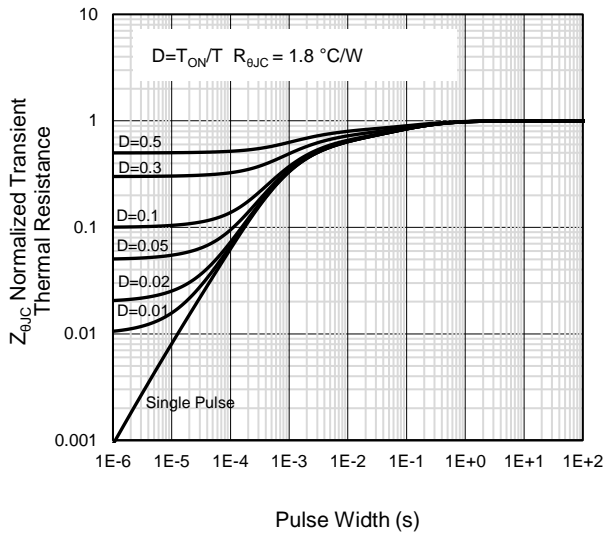


Figure 13: Normalized Maximum Transient Thermal Impedance

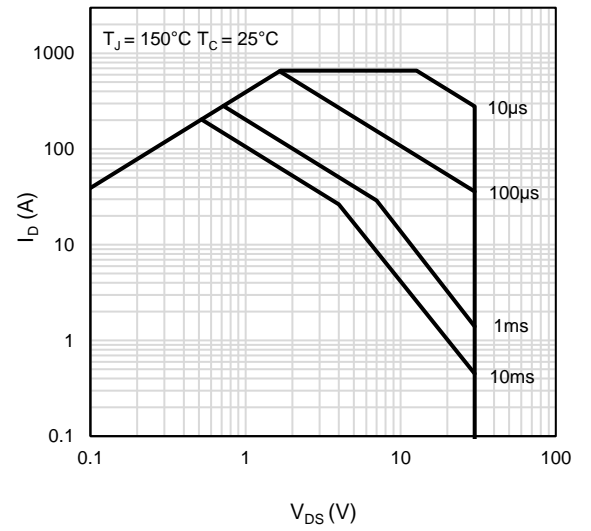
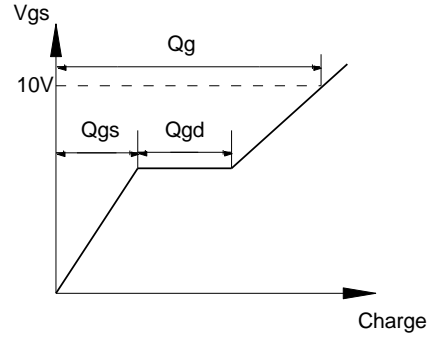
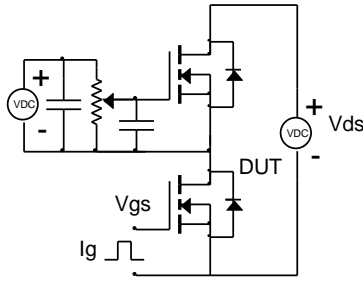


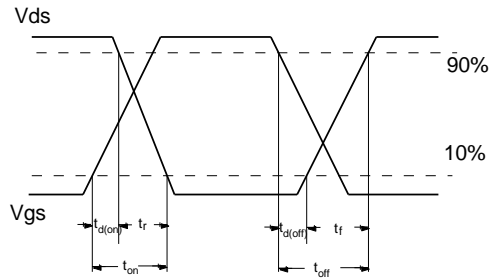
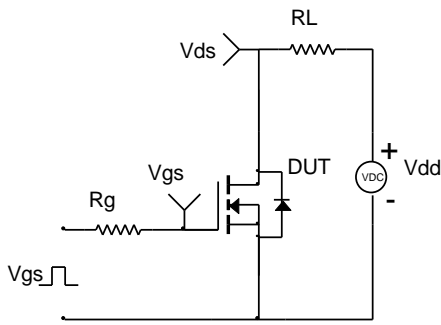
Figure 14: Maximum Forward Biased Safe Operating Area

Test Circuit and Waveform

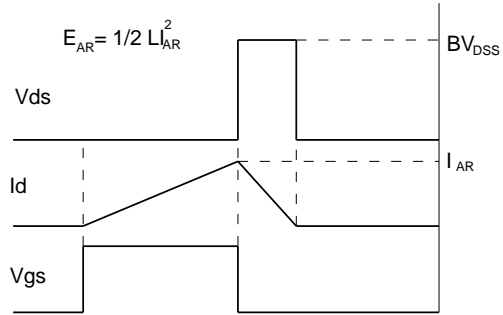
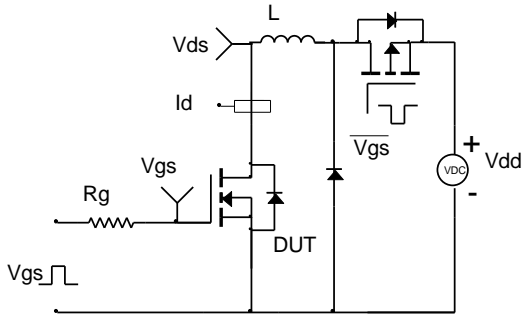
Gate Charge Test Circuit & Waveform



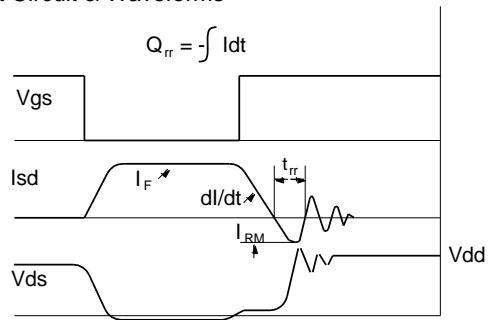
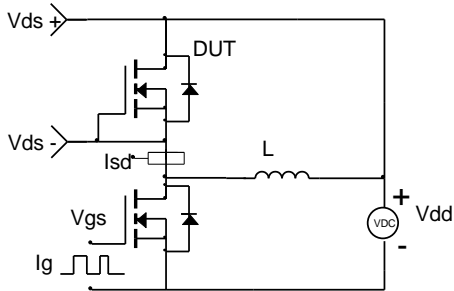
Resistive Switching Test Circuit & Waveforms



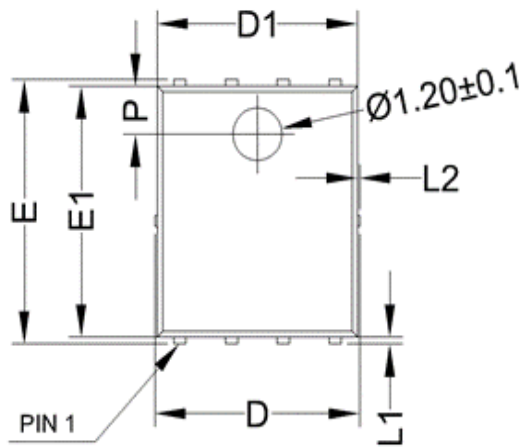
Unclamped Inductive Switching (UIS) Test Circuit & Waveforms



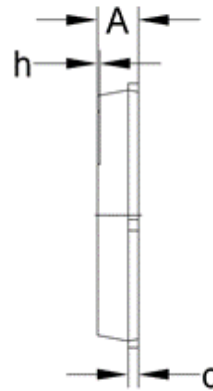
Diode Recovery Test Circuit & Waveforms



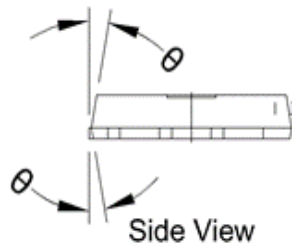
Package Outlines



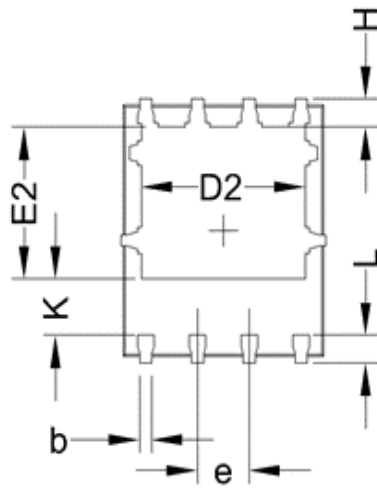
Top View



Side View



Side View

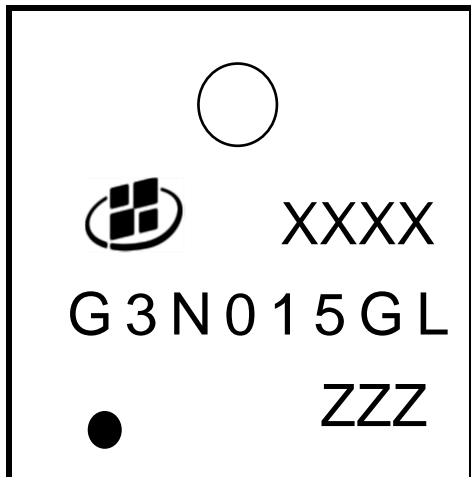


Bottom View

	MIN	NOM	MAX
A	0.90	1.00	1.10
b	0.20	0.30	0.40
c	0.21	0.25	0.34
D	-	-	5.10
D1	4.80	4.90	5.00
D2	3.91	4.01	4.11
e	1.27 BSC		
E	5.90	6.00	6.10
E1	5.65	5.75	5.85
E2	3.375	3.475	3.575
H	0.55	0.65	0.75
h	-	-	0.10
K	1.20	-	-
L	0.55	0.65	0.75
L1	0.05	0.15	0.25
L2	-	-	0.12
Ø	8°	10°	12°
P	1.00	1.10	1.20

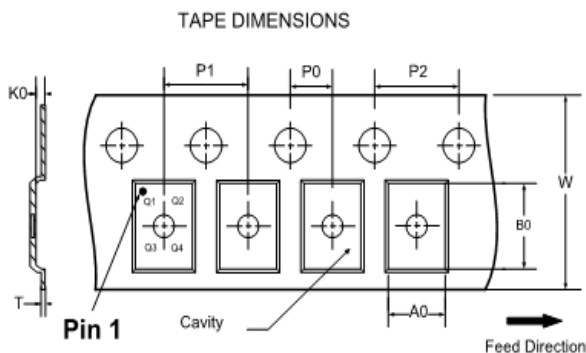
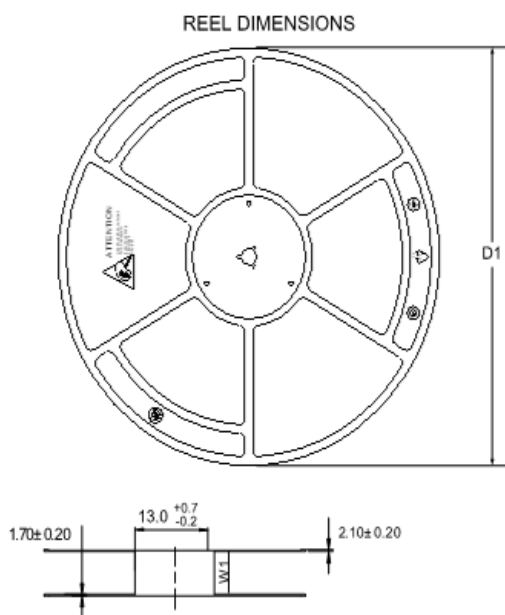
Unit in mm

Marking Information



Note:
 G3N015GL = Product Name Code
 XXXX = Date code
 ZZZ
 Contact ALKAIDSEMI sales for detail information

Tape & Reel Information



A0: Dimension designed to accommodate the component width
 B0: Dimension designed to accommodate the component length
 K0: Dimension designed to accommodate the component thickness
 W: Overall width of the carrier tape
 P0: Pitch between successive cavity centers and sprocket hole
 P1: Pitch between successive cavity centers
 P2: Pitch between sprocket hole
 T: Tape material thickness
 D1: Reel Diameter
 W1: Reel Width

PDFN 5X6										
DIMENSIONS(Unit:mm)										
Reel	D1	W1								Material
	330	12.4								Hips
Tape	P0	P1	P2	W	A0	B0	K0	T	Pin 1 Quadrant	Material
	2	8	4	12	6.3	5.3	1.2	0.25	Q1	PC

Revision History

Revision	Released	Remark
Rev.1.0	2024	Initial Release

Disclaimer

The information given in this document describes the independent performance of the product, but similar performance is not guaranteed under other working conditions, and cannot be guaranteed when installed with other products or equipment. To achieve the required performance of the product in actual scenarios, the customer should conduct a complete application test to assess the functionality of the product.

Alkaidsemi assumes no responsibility for equipment failures result from using products at values that exceed the ratings, operating conditions, or other parameters listed in the product specifications.

The product described in this specification is not applicable for aerospace or other applications which requires high reliability. Customers using or selling these products for use in medical, life-saving, or life-sustaining applications do so at their own risk and agree to fully indemnify.

Due to product or technical improvements, the information described or contained herein may be changed without prior notice.